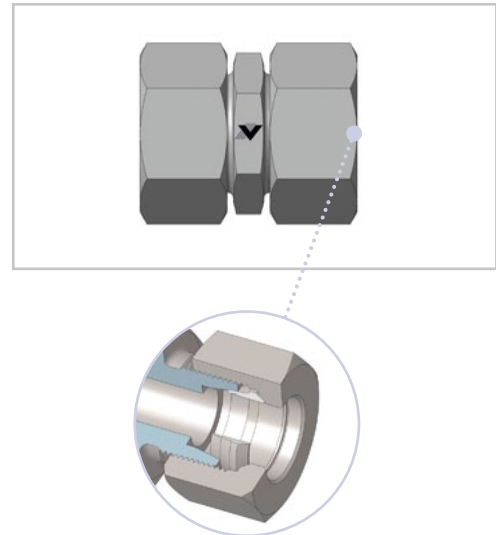
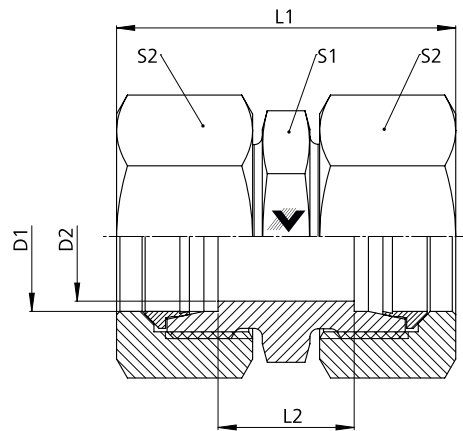


GV

- Gerade Verschraubung
- L- und S-Reihe

- Straight Coupling
- L and S Series



| GV | | | | | | | | | | |
|--------------------|----------|----------|-----------|----------|----------|----------|------------------------|-----------|---------------------|----------------------------|
| Baureihe Series | D1 mm | D2 mm | L1* mm | L2 mm | S1 mm | S2 mm | Gewicht Weight g | PN bar | Bezeichnung Name | Artikel-Nr. Article No. |
| LL | 4 | 3 | 32 | 12 | 9 | 10 | 14 | 100 | GV 04 LL | 102947 |
| | 6 | 4,5 | 32 | 9 | 11 | 12 | 21 | 100 | GV 06 LL | 102949 |
| | 8 | 6 | 35 | 12 | 12 | 14 | 26 | 100 | GV 08 LL | 102953 |
| | 10 | 8 | 35 | 12 | 14 | 17 | 38 | 100 | GV 10 LL | 102956 |
| | 12 | 7 | 35 | 11 | 17 | 19 | 45 | 100 | GV 12 LL | 203390 |
| L | 6 | 4 | 40 | 10 | 12 | 14 | 35 | 500 | GV 06 L | 102948 |
| | 8 | 6 | 41 | 11 | 14 | 17 | 50 | 500 | GV 08 L | 102952 |
| | 10 | 8 | 43 | 13 | 17 | 19 | 65 | 500 | GV 10 L | 102955 |
| | 12 | 10 | 44 | 14 | 19 | 22 | 85 | 400 | GV 12 L | 102958 |
| | 15 | 12 | 46 | 16 | 24 | 27 | 144 | 400 | GV 15 L | 102964 |
| | 18 | 15 | 49 | 16 | 27 | 32 | 204 | 400 | GV 18 L | 102966 |
| | 22 | 19 | 53 | 20 | 32 | 36 | 269 | 250 | GV 22 L | 102969 |
| | 28 | 24 | 54 | 21 | 41 | 41 | 334 | 250 | GV 28 L | 102972 |
| | 35 | 30 | 63 | 20 | 46 | 50 | 528 | 250 | GV 35 L | 102974 |
| S | 42 | 36 | 67 | 21 | 55 | 60 | 774 | 250 | GV 42 L | 102976 |
| | 6 | 4 | 46 | 16 | 14 | 17 | 61 | 800 | GV 06 S | 102950 |
| | 8 | 5 | 48 | 18 | 17 | 19 | 83 | 800 | GV 08 S | 102954 |
| | 10 | 7 | 50 | 17 | 19 | 22 | 112 | 800 | GV 10 S | 102957 |
| | 12 | 8 | 52 | 19 | 22 | 24 | 135 | 630 | GV 12 S | 102959 |
| | 14 | 10 | 57 | 22 | 24 | 27 | 191 | 630 | GV 14 S | 102963 |
| | 16 | 12 | 58 | 21 | 27 | 30 | 233 | 630 | GV 16 S | 102965 |
| | 20 | 16 | 66 | 23 | 32 | 36 | 370 | 420 | GV 20 S | 102968 |
| | 25 | 20 | 74 | 26 | 41 | 46 | 682 | 420 | GV 25 S | 102971 |
| | 30 | 25 | 80 | 27 | 46 | 50 | 807 | 420 | GV 30 S | 102973 |
| 38 | 32 | 91 | 29 | 55 | 60 | 1268 | 420 | GV 38 S | 102975 | |

*Gerundete Werte / approx. Dimensions