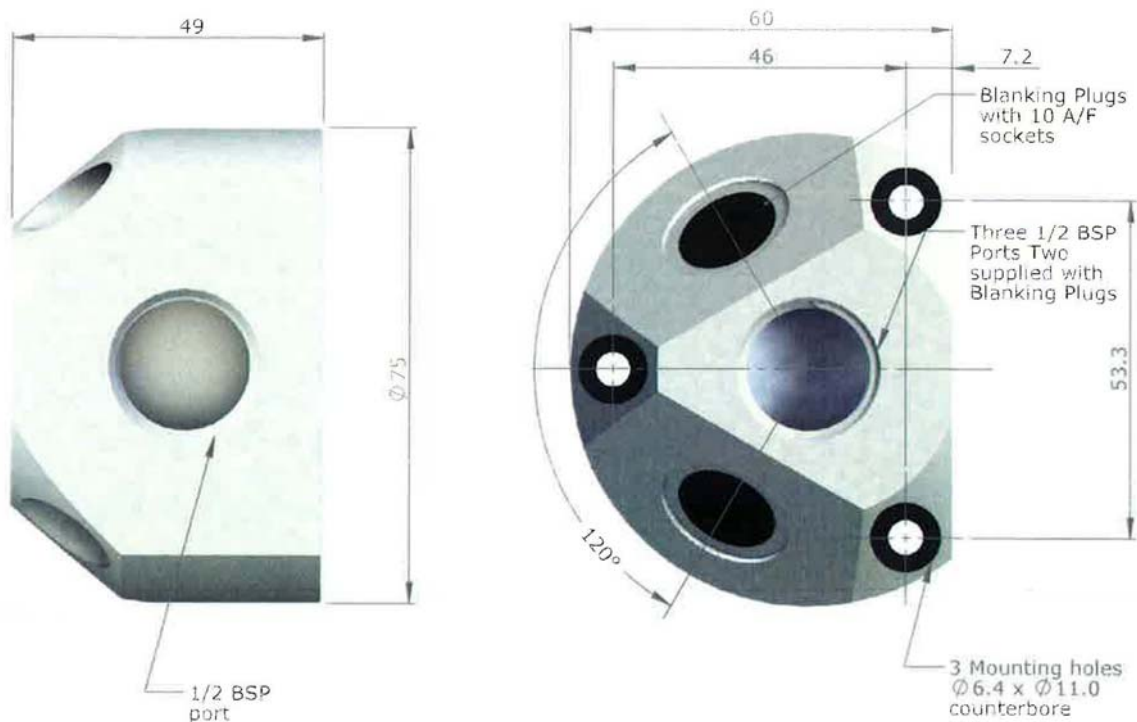


für Serie »speedfit«

Mit 2 Stopfen

Art.-Nr. 87.012



Dimensions in mm - nominal unless stated otherwise

Parts List

Part Description	Material	Part Description	Material
Body	Aluminium	Plugs	Nylon 6 30% Glass Filled
O' Rings	Nitrile 70 IRHD, Black		

Technical Information

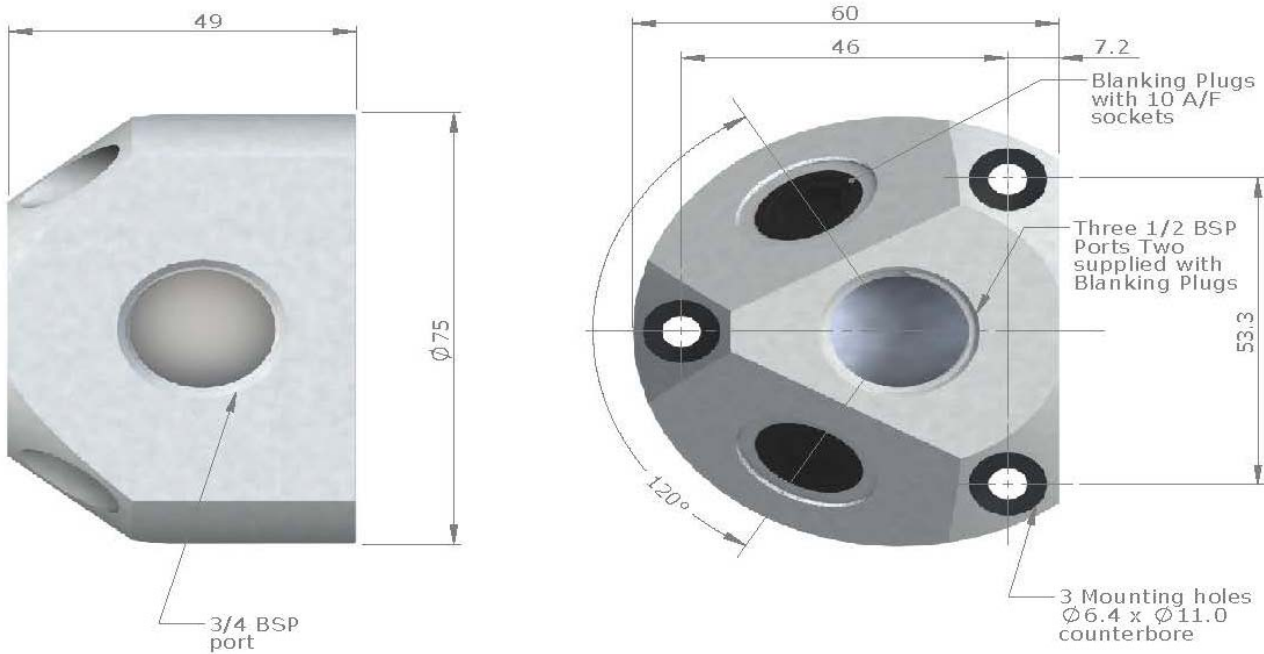
Working Pressures & Temperatures

10 bar @ 23°C 7 bar @ 70°C
Minimum Temperature -20°C

Applications

Air Ring Main ✓

Art.-Nr. 87.034



Dimensions in mm - nominal unless stated otherwise

Parts List			
Part Description	Material	Part Description	Material
Body	Aluminium	Plugs	Nylon 6 30% Glass Filled
'O' Rings	Nitrile 70 IRHD, Black		

Technical Information	
Working Pressures & Temperatures	Applications
10 bar @ 23°C 7 bar @ 70°C Minimum Temperature -20°C	Air Ring Main ✓